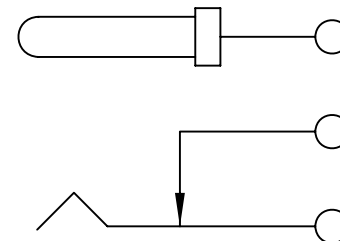
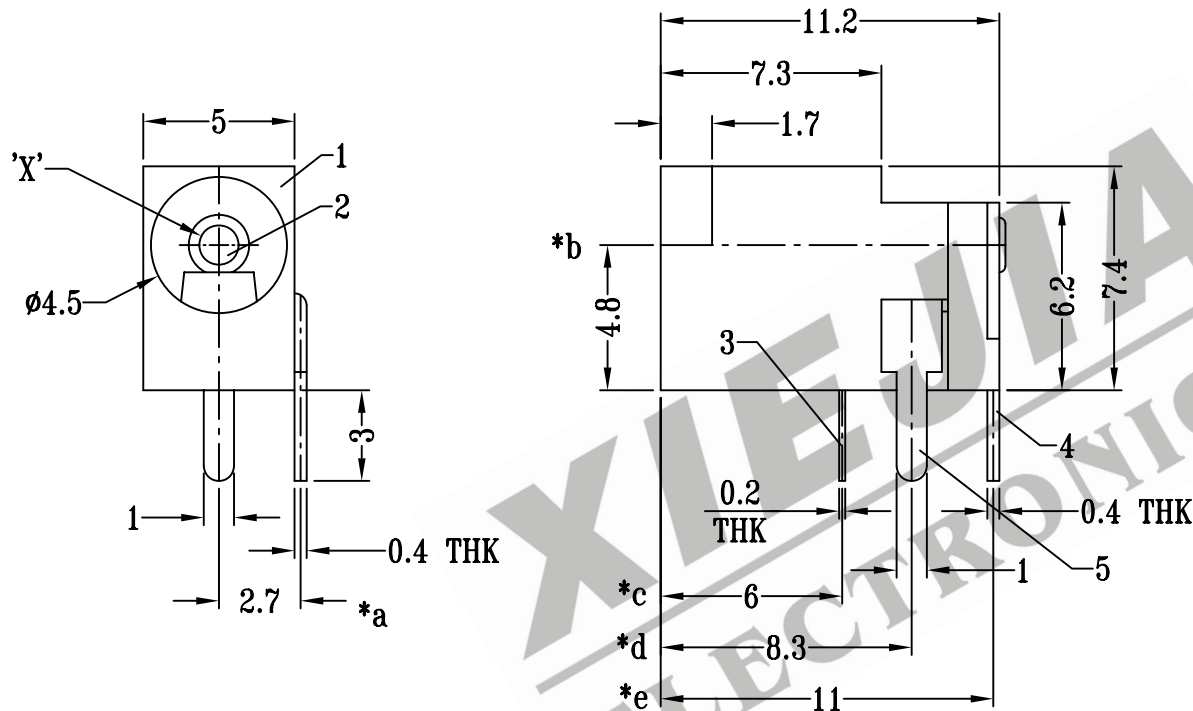
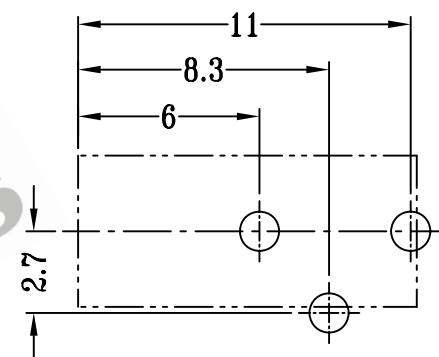


CAD FILE:



**SCHMATIC**



**P.C.B LAYOUT**

DIA. OF PIN 'X' J=0.8 mm
DIA. OF PIN 'X' E=1.0 mm
DIA. OF PIN 'X' D=1.3 mm
DIA. OF PIN 'X' F=1.35 mm
DIA. OF PIN 'X' H=1.5 mm
DIA. OF PIN 'X' Z=1.65 mm

注:带"\*"表示关键尺寸(5个)

NO.	PARTS	MATERIALS	Q'TY	FINISH	TOLERANCE UNLESS SPECIFIED	SHENZHEN XIEJIA ELECTRONICS CO.,LTD.					
8											
7											
6	INSERT CASE	POM/PBT+F.G+94V0	1	BLACK/WHITE	WITHIN: 1.5±0.1mm OVER: 1.5±0.2mm	ISSUE	DATE	DESCRIPTIONS OF REVISION		APPD.	
5	CONTACT CLIP	BRASS STRIP	1	Ag PLATED OVER Ni PLATED							
4	TERMINAL	BRASS STRIP	1	Ag PLATED OVER Ni PLATED	TITLE: DC POWER JACK	UNIT: mm	DRWG NO.: XJ-DR-DS313-00				
3	SPRING TERMINAL	STAINLESS STEEL/PBS STRIP	1	Ag PLATED OVER Ni PLATED	MODEL: DS-313	SCALE: 4:1	DWN.	ZHOUYU	2003-7-18		
2	PLUG PIN	BRASS	1	Ni PLATED					CHK'D	FANGYING	2003-7-18
1	CASE	POM/PBT+F.G+94V0	1	BLACK/WHITE					APPD.	KANGXINAN	2003-7-18
					ALL MATERIALS MUST BE COMPLIANT TO ROHS						